

## Carbide Brazed Tips



### Properties of grades and application recommended.

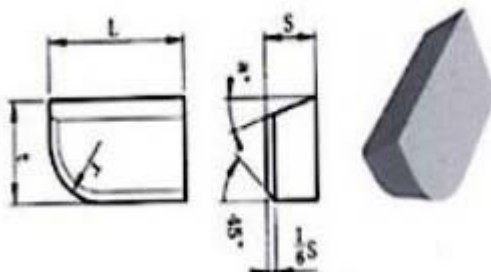
Grade	Density (g/cm <sup>3</sup> )	Hardness (HRA)	TRS (MPa)
K10/YG6X	14.95	91.5	1800
K20/YG6	14.95	90.5	1900
P10/YT15	11.4	91.5	1600
P20/YT14	11.6	90.8	1700
P30/YT5	12.9	90.5	2200
M10/ YW1	13.10	91.6	1600
M20/ YW2	13.00	90.6	1800

### Application recommended

Grade	Applications recommended
K10/YG6X	The finishing & semi-finishing of cast iron and nonferrous metals and also for the machining of manganese steel and hardening steel.
K20/YG6	Suitable for the roughing of cast iron and light alloys and also for the milling of cast iron and low-alloy steel.
P10/YT15	Suitable for the finishing and semi-finishing for steel and cast steel with a moderate feed rate and rather high cutting speed.
P20/YT14	Suitable for the finishing and semi-finishing of steel and cast steel.
P30/YT5	Suitable for the heavy duty rough turning of and cast steel with a big feed rate at a medium and low speed under unfavorable working conditions.

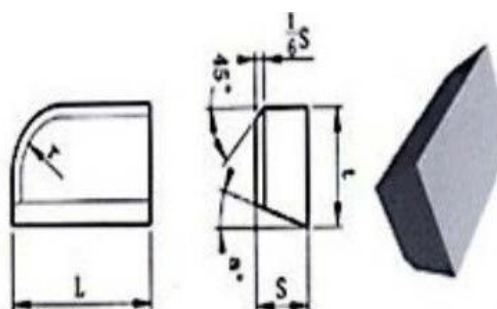
M10/ YW1	Suitable for finishing and semi-finishing of stainless steel and conventional alloy steel.
M20/ YW2	The grade can be used for the semi-finishing of stainless steel and low-alloy steel and it is mainly used for the machining of railway wheel hubs.

Series of A



Type	Dimensions				
	L	t	s	r	α°
A6	6	4	2.5	2.5	-
A8	8	5	3	3	
A10	10	6	4	4	-
A12	12	8	5	5	18
A16	16	10	6	6	18
A20	20	12	7	7	18
A25	25	14	8	8	18
A32	32	18	10	10	18
A40	40	22	12	12	18
A50	50	25	14	14	18

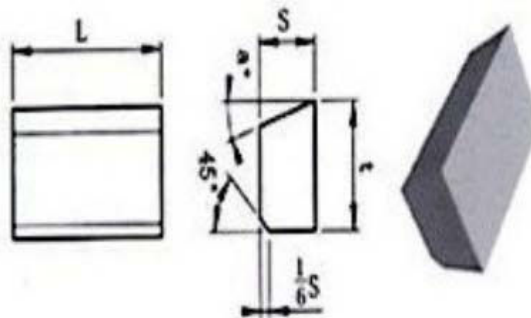
Series of B



Type	Dimensions				
	L	t	s	r	α°
B5	5	3	2	2	-
B6	6	4	2.5	2.5	-
B8	8	5	3	3	-

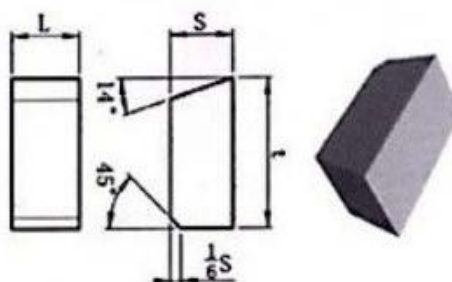
B10	10	6	4	4	18
B12	12	8	5	5	18
B16	16	10	6	6	18
B20	20	12	7	7	18
B25	25	14	8	8	18
B32	32	18	10	10	18
B40	40	22	12	12	18
B50	50	25	14	14	18

Series of C



Type	Dimensions			
	L	t	s	$\alpha^\circ$
C5	5	3	2	-
C6	6	4	2.5	-
C8	8	5	3	-
C10	10	6	4	18
C12	12	8	5	18
C16	16	10	6	18
C20	20	12	7	18
C25	25	14	8	18
C32	32	18	10	18
C40	40	22	12	18
C50	50	25	14	18

Series of D



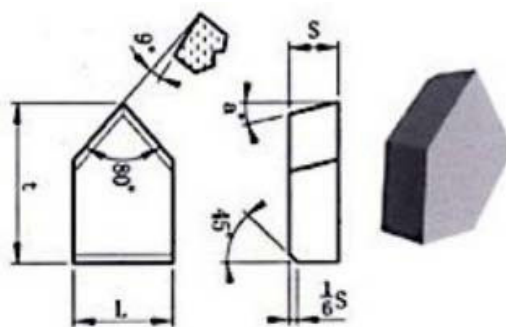
株洲瑞奥硬质合金有限公司

ZHUZHOU RUIAO TUNGSTEN CARBIDE CO.,LTD

Add: 602, Ka Shing Mansion, Hongqi middle Road, Hetang District, Zhuzhou City, Hunan province, China.  
412000. Tel: +86-731-22580438 Mobile: +18307332261

Type	Dimensions		
	L	t	s
D3	3.5	8	3
D4	4.5	10	4
D5	5.5	12	5
D6	6.5	14	6
D8	8.5	16	8
D10	10.5	18	10
D12	12.5	20	12

Series of E



Type	Dimension			
	L	t	s	$\alpha^\circ$
E4	4	10	2.5	-
E5	5	12	3	-
E6	6	14	3.5	9
E8	8	16	4	9
E10	10	18	5	9
E12	12	20	6	9
E16	16	22	7	9
E20	20	25	8	9
E25	25	28	9	9
E32	32	32	10	9

All dimensions are in mm

We can produce according to customer's request. Welcome your new inquiry.